

TECHNI-PRO

Product Data Sheet

High Precision Hard Metal Cutters

TNP-CTR-HP-552G

Product Type: High Precision Hard Metal Cutters

Made in: Italy

Description: The 552GTX is a high precision cutter belonging to the Tungsten Carbide cutters family. The tapered and relieved geometry combined with the arrow geometry of the tips offer the best advantage to access small areas, while the 552GTX head dimensions support the cut. The full-flush cutting edge is suitable to perform very clean cuts on the hardest wires. The 552GTX is equipped with an ESD Ergo-tek handle which allows an excellent grip, suitable to environments and to components susceptible to electrostatic discharges. The tungsten carbide insert blades are 82HRC hardness.

Head Description: Large Tapered and Relieved, Tungsten carbide

Cutting Edges: Full-Flush

Tip material: Tungsten carbide insert

Body material: High carbon-chromium low alloy steel (100Cr6)

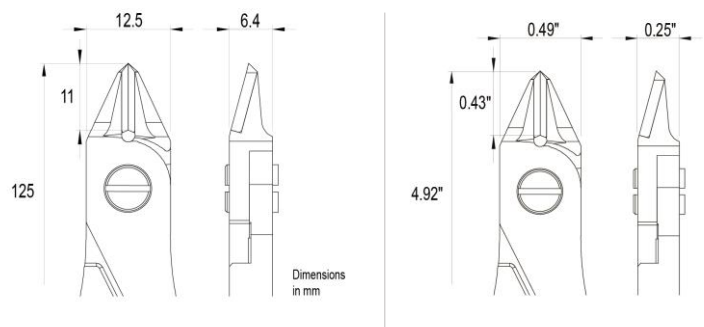
Handle material: ESD safe - Thermoplastic Elastomer TPE + Polypropylen compound PP

Picture:



Dimensions:

OAL	125,0 mm – 4,92 inch
Width	60,0 mm – 2,36 inch
Height	18,0 mm – 0,71 inch



TECHNI-PRO

Production supplies that **WORK** as hard as you do

Techni-PRO is a TestEquity private label brand featured on:

www.testequity.com/brand/techni-pro
www.techni-tool.com/brand/techni-pro
www.jensentools.com/brand/techni-pro